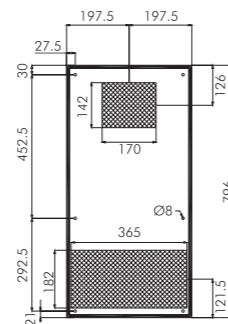
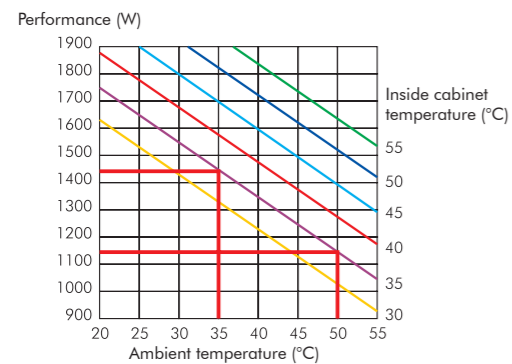




### AVC 145

Features	Unit	AVC145
Power supply	V/Hz	230V/1ph/50-60
Dimensions HxLxP	mm	800x400x240
Cooling capacity EN814 A35A35	W	1450
Cooling capacity EN814 A35A50	W	1150
Max current	A	4,5
Inrush current	A	18
Absorbed electric power EN814 A35A35	W	850
Absorbed electric power EN814 A35A50	W	990
Refrigerant R134a	kg	0,7
Maximum pressure	bar	25
Operating temperature (ambient)	°C	+20/+55
Operating temperature (enclosure)	°C	+20/+45
Temperature setting	-	Internal thermostat (factory set @ 35°C)
Compressor type	-	Rotative compressor, double frequency (220 V, 50-60 Hz)
Noise level	dB(A)	65
Electrical connection	-	Pin socket
Protection degree EN60529/1 enclosure side	-	IP54
Protection degree EN60529/1 ambient side	-	IP34
Weight	kg	40
Conformity	-	CE
Colour	-	RAL 7035



#### MODELS AND POWER

The range of air conditioners ALFA ELECTRIC includes several productions depending on voltages and different type of thermostat mounted. The code varies about voltage and control instrumentation.

#### DIGITAL THERMOSTAT

The version with the number 1 as the last digit coding are equipped with digital thermostat that allows to implement various control operations:

- Setting ignition temperature compressor
- Setting temperature compressor shutdown
- Set delay on / off the compressor in terms of temperature
- Setting the standard period of the compressor to avoid the phenomenon of intermittent on / off. This phenomenon is very detrimental to the proper operation of the air conditioner.
- Setting the maximum value allowed for the overcoming of the maximum temperature in the cabinet, after which the thermostat emits an alarm
- Setting the delay time of the alarm switch

#### CODE EXAMPLE AND COMPOSITION:

AVC 085.01



- a** Cooling power at 35°C inside the cabinet and 35°C outside cabinet (x 10W)
- b** Power supply:  
0=230 V monophase 50/60 Hz  
1=115 V monophase 50/60 Hz  
2=400 V monophase 50/60 Hz
- c** Type of thermostat:  
0=mechanical thermostat  
1=digital thermostat



#### LOW MAINTENANCE

ALFA ELECTRIC air conditioners require little maintenance on all models through the adoption of capacitor banks with a pitch between the fins is not less than 4 mm. The fins are treated to reduce the adhesion of dirt.

#### LESS WEIGHT AND LESS VIBRATION

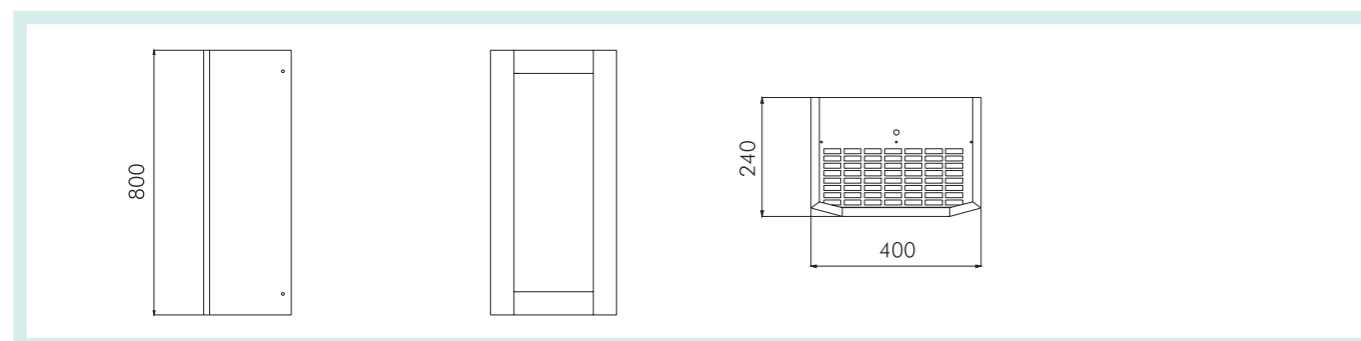
The rotary compressor also reduces the weight of the unit with obvious benefits in the transport, handling and installation of the machine. The lower vibrations due to a lower inertia of the moving parts make this component quiet and durable.

#### ROTARY COMPRESSOR

ALFA ELECTRIC air conditioners are distinguished by the adoption on all models of rotary compressors. This type of compressors, unlike the more common alternative compressors allowed to contain the clutter in favour of a greater distance between inlet hot air from the context and delivery of fresh air into the framework. The greater distance allows the reduction of the phenomenon of by-pass, using a greater amount of fresh air produced.

#### GREATER EFFICIENCY

The rotary compressor has considerable advantages over the alternative compressor: among them being the biggest isentropic efficiency mainly due to different internal cooling which favors compression. The absence of valves in suction and dead volumes, typical of alternative systems, reduces the loss of gas pressure.





### AVC 035

Features	Unit	AVC035
Power supply	V/Hz	230V/1ph/50-60
Dimensions HxLxP	mm	430x280x170
Cooling capacity EN814 A35A35	W	350
Cooling capacity EN814 A35A50	W	200
Max current	A	1,8
Inrush current	A	5
Absorbed electric power EN814 A35A35	W	260
Absorbed electric power EN814 A35A50	W	280
Refrigerant R134a	kg	0,2
Maximum pressure	bar	25
Operating temperature (ambient)	°C	+20/+55
Operating temperature (enclosure)	°C	+20/+45
Temperature setting	-	Internal thermostat (factory set @ 35°C)
Compressor type	-	Rotative compressor, double frequency (220 V, 50-60 Hz)
Noise level	dB(A)	60
Electrical connection	-	Pin socket
Protection degree EN60529/1 enclosure side	-	IP54
Protection degree EN60529/1 ambient side	-	IP34
Weight	kg	15
Conformity	-	CE
Colour	-	RAL 7035

### AVC 085

Features	U.M.	AVC085
Power supply	V/Hz	230V/1 ph/50-60
Dimensions HxLxP	mm	635x305x215
Cooling capacity EN814 A35A35	W	850
Cooling capacity EN814 A35A50	W	625
Max current	A	2,65
Inrush current	A	15
Absorbed electric power EN814 A35A35	W	500
Absorbed electric power EN814 A35A50	W	600
Refrigerant R134a	kg	0,3
Maximum pressure	bar	25
Operating temperature (ambient)	°C	+20/+55
Operating temperature (enclosure)	°C	+20/+45
Temperature setting	-	Internal thermostat (factory set @ 35°C)
Compressor type	-	Rotative compressor, double frequency (220 V, 50-60 Hz)
Noise level	dB(A)	62
Electrical connection	-	Pin socket
Protection degree EN60529/1 enclosure side	-	IP54
Protection degree EN60529/1 ambient side	-	IP34
Weight	kg	25
Conformity	-	CE
Colour	-	RAL 7035

